

WT4-72型高强度防腐通风机

WT4-72 high strength anticorrosive ventilator

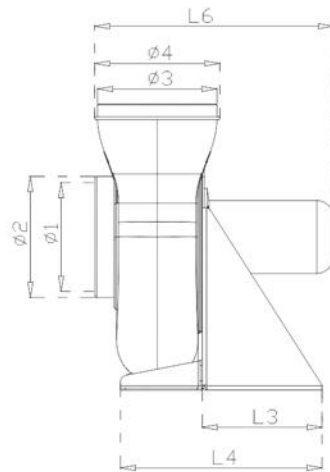
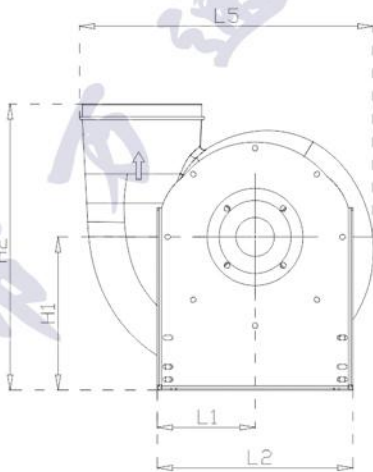
WT4-72系列塑料防腐耐酸碱离心风机为圆形接口单进风离心风机，采用后倾离心风轮与电机直连。用于输送或排放腐蚀性和高湿度的烟气、雾汽或化工酸碱异味气体。所含粉尘及硬质颗粒 $\leq 150\text{mg}/\text{m}^3$ ，气体温度 $\leq 60^\circ\text{C}$ 。不允许排送含有下列化学物质的气体：粘性物质，芳香族化合物，酮类，铬酸等。适合排放腐蚀性的烟雾和气体：硫酸，硫磺酸，硝酸，氢酸，氢氟酸，鲍里斯酸，氢氰酸，盐酸，氨，苏打，乙醇，氢氧化钾，甲醇，丙烷，苯，甲醛等。同耐腐蚀的不锈钢风机比较，HGF系列塑料防腐耐酸碱离心风机具有强度高，重量轻，不易老化，耐腐蚀性能良好，噪音低，耗电省，运转平稳等特点。

WT4-72 series plastic anti-acid and alkali resistant centrifugal fan is circular interface single inlet centrifugal fan, which adopts backward centrifugal wind wheel and motor directly connected. Used to transport or discharge corrosive and high humidity smoke, fog or chemical acid and alkali odorous gas. Containing dust and hard particles $\leq 150\text{mg}/\text{m}^3$, gas temperature $\leq 60^\circ\text{C}$. Do not exhaust gases containing the following chemicals: viscous substances, aromatic compounds, ketones, chromic acid, etc. Suitable for the emission of corrosive smoke and gases: sulfuric acid, sulfuric acid, nitric acid, nitrogenous acid, hydrofluoric acid, Boris acid, hydrocyanic acid, hydrochloric acid, ammonia, soda, ethanol, potassium hydroxide, methanol, propane, benzene, formaldehyde, etc. Compared with corrosion resistant stainless steel fan, HGF series anti-corrosion anti-acid and alkali centrifugal fan has the characteristics of high strength, light weight, not easy to age, good corrosion resistance, low noise, low power consumption and smooth operation.



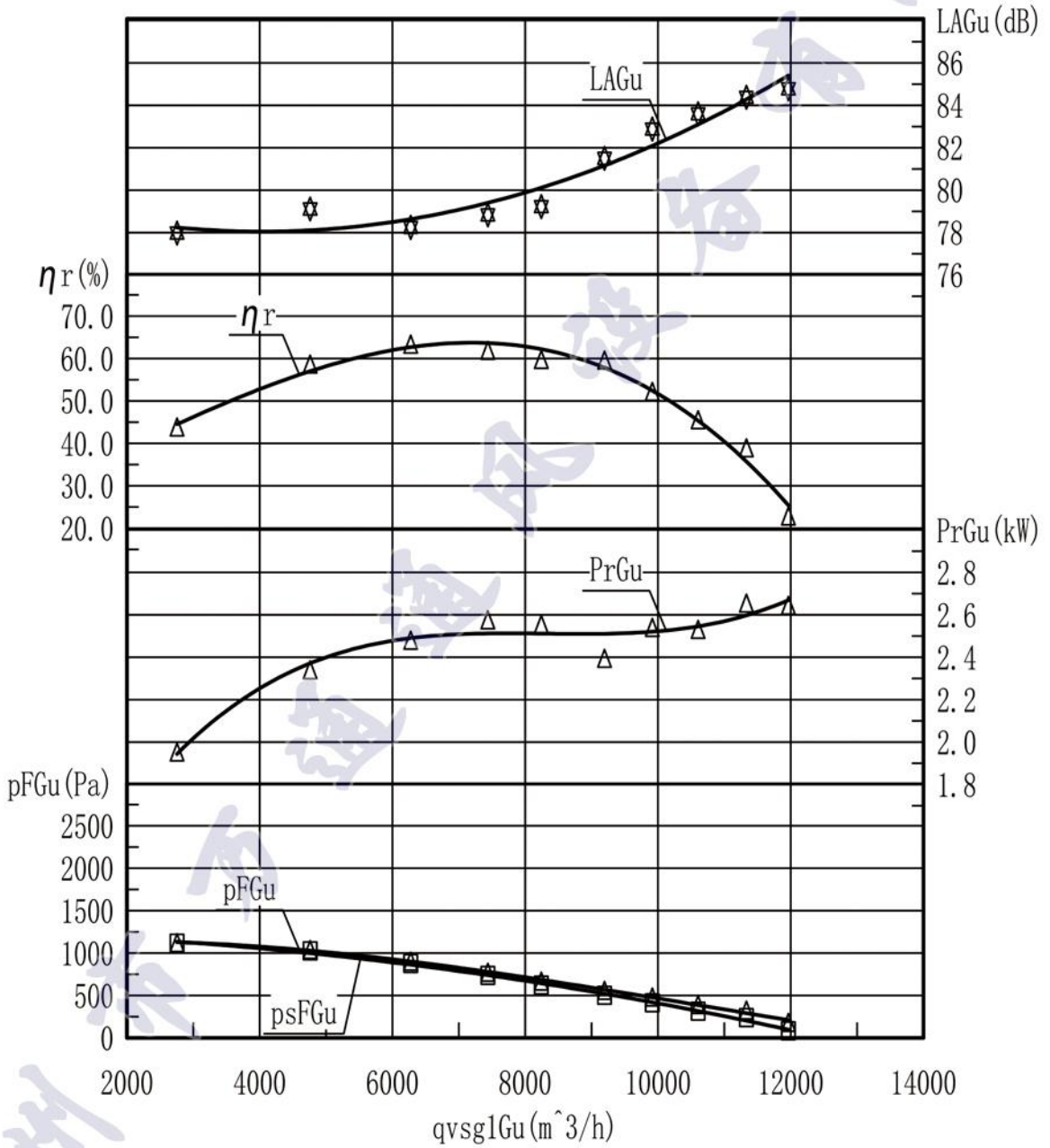
WT4-72型

机型样式 Size(No.)	机号 Size (NO.)	功率 Power(KW)	转速 Speed(r/min)	流量 Volume Flow(m^3/h)	全压 Total Pressure (pa)	噪音 Noise
280A		0.75	1450	843-695	194-291	64
		1.1	2800	1630-1255	783-1087	76
320A		0.75	1450	1597-826	240-366	65
		1.1	1450	1957-1085	278-425	68
360A		1.5	2800	3084-2363	896-1364	80
		1.1	1450	2347-1852	349-464	63
400A		1.5	1450	2638-2135	386-512	65
		2.2	2800	4533-3323	1461-1731	80
500A		1.1	1450	3400-3022	282-406	69
		1.5	1450	3869-3552	318-497	70
		3	2800	6563-5836	1515-1855	82
600A		1.5	1450	6329-5390	422-563	73
		2.2	1450	12660-11030	468-635	75
		7.5	2800	7921-6086	1972-2423	88
600A		1.1	960	7921-6086	171-396	68
		3	1450	11964-9803	734-904	80
		4	1450	13768-10201	773-967	82
		5.5	1450	14580-11350	835-1023	85



单位Unit : mm

机号 NO	入风口 Air intake		出风口 Vent		底架尺寸 Bottom frame size				外形尺寸 Shape size			
	$\Phi 1$	$\Phi 2$	$\Phi 3$	$\Phi 4$	L1	L2	L3	L4	L5	L6	H1	H2
2.8A	175	200	200	215	177	354	205	355	558	456	290	536
3.2A	215	250	250	260	204	408	250	420	615	498	315	588
3.6A	270	315	315	325	223	446	280	480	670	568	345	695
4.0A	360	400	400	415	254	508	300	560	534	821	400	800
5.0A	455	500	500	510	304	608	300	640	1025	785	495	995
6.0A	560	600	600	610	369	738	300	700	1234	873	590	1195



WT4-72-600A中高压防腐风机性能曲线